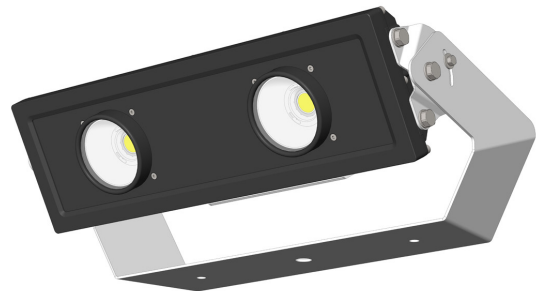


OptimaLine2

Information

• Future PROOF> all components independently changeable • Ready for connection and easy to install and maintain • Easy integration into existing lighting towers • Low weight and low wind load • Large light-emitting and extremely powerful light output • Highest efficiency of all system components - LongLIFE • Different light distributions possible • Optical cover made of safety glass IK08 • Vibration-resistant • ThermoProtect System against overtemperature of the LED • Optional: external control by radio • Optional: active performance cooling



Technical Informations

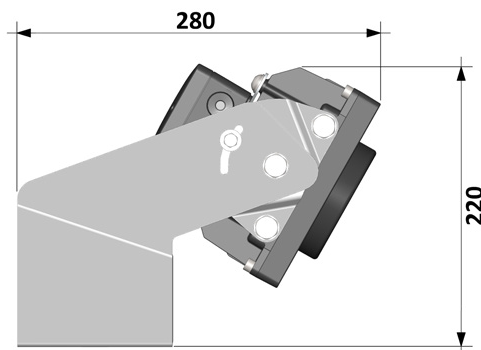
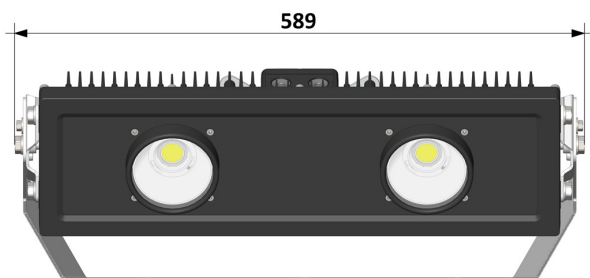
Picture shows variant 29° - 88°

Anmerkungen :	<ul style="list-style-type: none">• sehr kompakter Strahler mit sehr hoher Lichtleistung• wenig Windangriffsfläche• hohe Auswahl an Lichtverteilungen• weitere Farbtemperaturen auf Anfrage
Betriebsgerät:	CE ENEC
Breite:	ca. 280 mm
Farbe:	schwarz
Farbtemperatur:	3000K, 4000K, 5000K
Garantie:	
Gehäuse:	Aluminiumdruckguss, schwarz pulverbeschichtet
Gewicht:	ca. 10 kg
Höhe:	ca. 220 mm
Länge:	ca. 589 mm
Lebensdauer:	L80 60.000 - 100.000 h
Leistung:	160W
Lichtstrom:	
Lichtverteilung:	88° symmetrisch, 54° symmetrisch, 42° symmetrisch, 29° symmetrisch
Lumen/Watt:	137lm/W
Optische Abdeckung:	
Schaltfunktion:	Eco(on/off)
Schutzgrad Schutzklasse:	IP67 SK I
Sicherheitsvorkehrung:	Absturzseil
Stoßfestigkeitsgrad :	IK08
Überspannungsschutz :	>4kV

BRAUN Lighting Solutions e. K. is a participant in the export initiative "Energie Effizienz – made in Germany", initiated by the Federal Ministry for the Economy and Technology. Due to the complexity of the many possible combinations of drivers and LED modules, the values shown for technical LED parameters, including performance parameters, are typical. Actual values of specific products in specific configurations may vary from these typical values. The information and diagrams contained in this document do not constitute an offer or contractual obligation. Product parameters may change as a result of technical innovation and will be undertaken without prior notice. Our manufacturing conforms to DIN EN and VDE regulations; the product conforms to European EMC regulations.

OptimaLine2

Verwendung:	
Zubehör kombinierbar mit:	Befestigungsbügel OptimaLine 2/4, Netzteilabdeckblech OptimaLine 2
Zulässige Betriebsspannung:	100-240VAC, 50/60Hz
Zulässige Umgebungstemperatur:	



Picture shows variant 29°- 88°

Picture shows variant 29°- 88°

» Variante 226-3000K:

» Variante 226-4000K:

» Variante 226-5000K:

BRAUN Lighting Solutions e. K. is a participant in the export initiative "Energie Effizienz – made in Germany", initiated by the Federal Ministry for the Economy and Technology. Due to the complexity of the many possible combinations of drivers and LED modules, the values shown for technical LED parameters, including performance parameters, are typical. Actual values of specific products in specific configurations may vary from these typical values. The information and diagrams contained in this document do not constitute an offer or contractual obligation. Product parameters may change as a result of technical innovation and will be undertaken without prior notice. Our manufacturing conforms to DIN EN and VDE regulations; the product conforms to European EMC regulations.